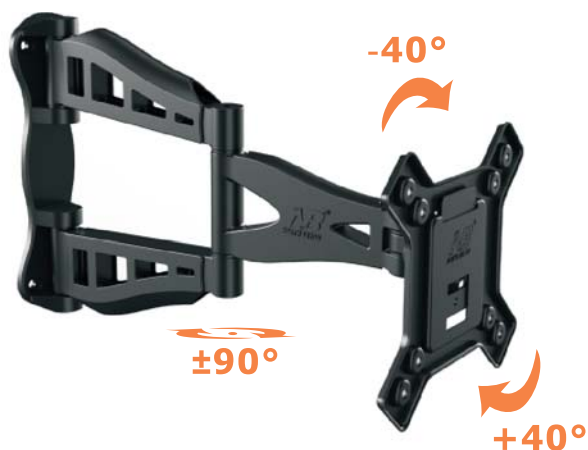


# NB787-S100

## Cantilever Mount For LCD,LED&Plasma TV'S



NB787-S100 articulating mount is designed for LCD and LED flat panel TV. Best choice for commercial and home used. Constructed and made out of Aluminum alloy material with dynamics contour designed, not only bring forward to you with the best aesthetics looked, its rigidity, simple and easy installation and space saver would enhance your entertainment joy and life style.

### Largest tilting angles and broader horizontal swivel angles features

■ With up down 40 degrees tilting and 90 degrees left right swivel angles design features, provide you with a best viewing position no matter where you are sitting.

### User friendly

■ With nice aesthetics looked of wall plate and arm covers serve as protections reflect her simplicity and perfection designed.

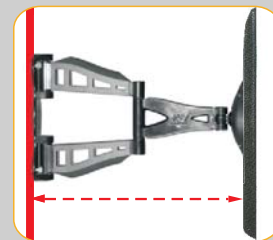
### Large swivel-able angles

■ The capable of large swivel-able angles feature is basically due to points jointing mechanism designed maximizing swing 180° angles from left to right without any viewing problems.

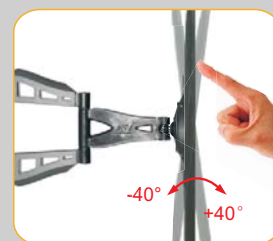
### Cantilever mount

- Fits most 17"-22" flat panel TV
- VESA compliance : 75x75mm  
100x100mm
- Load capacity : 30lbs ( 13.6kg )
- Tilt angle : -40°/+40°
- Swivel : 180°
- Color : Black
- Material : AL A380 with coating finished

## Product Features



Minimum extension : 49mm(1.93")  
Maximum extension : 329mm(13.0")



Advanced technologies designed make viewing angle easy and convenient.



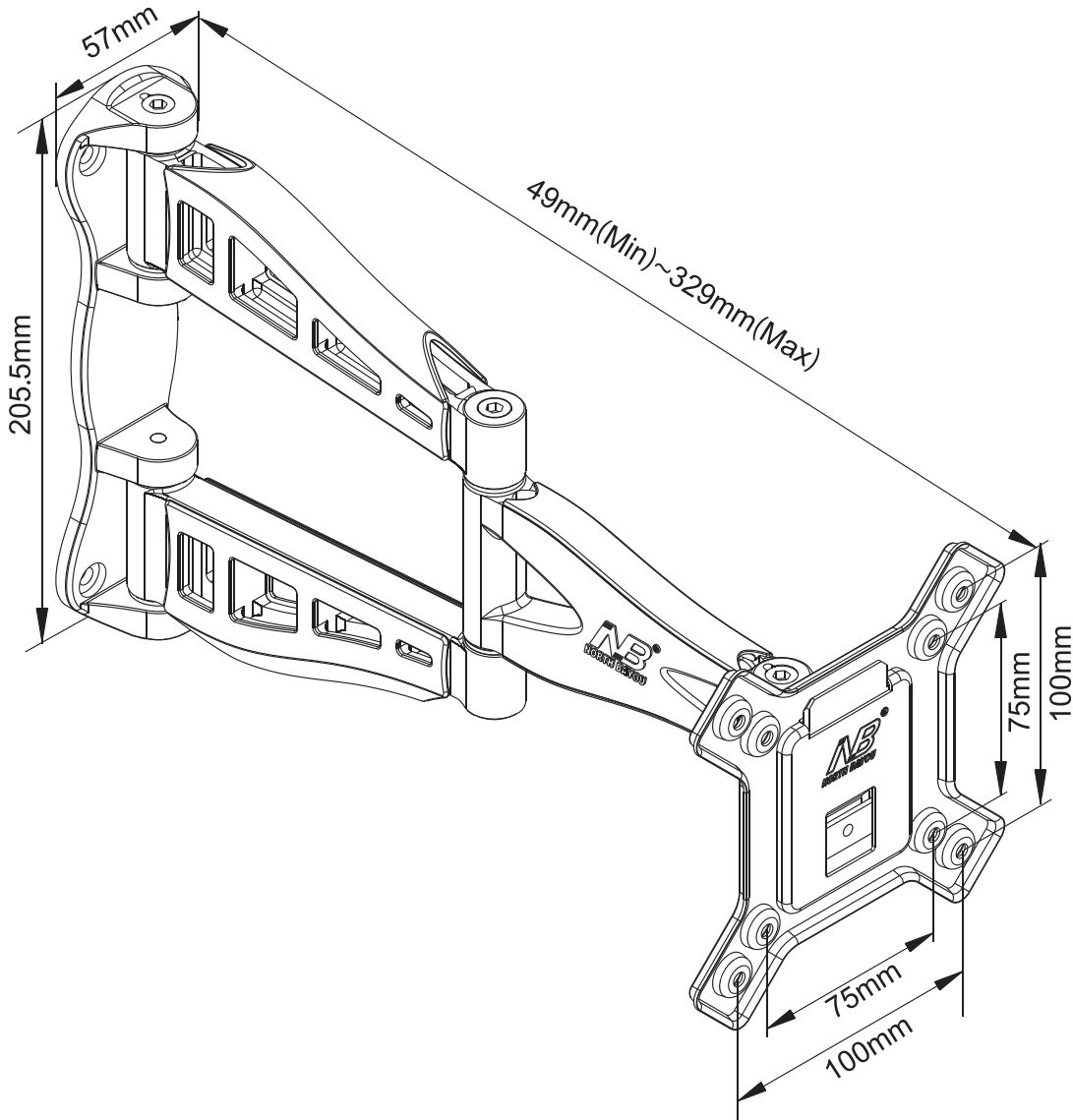
Hung free at any adjusted tilting angles system



Be able to fit in a variety of accessories:  
With additional of our wall shelf products:  
FOXGS-S, FOXGS-D



# NB787-S100 Cantilever mount

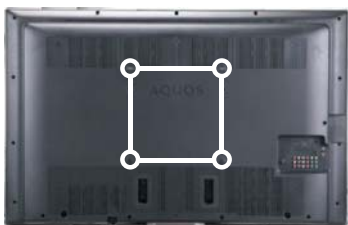


## Notes

Please study and understand your TV's mounting holes distance prior to your TV bracket selection.

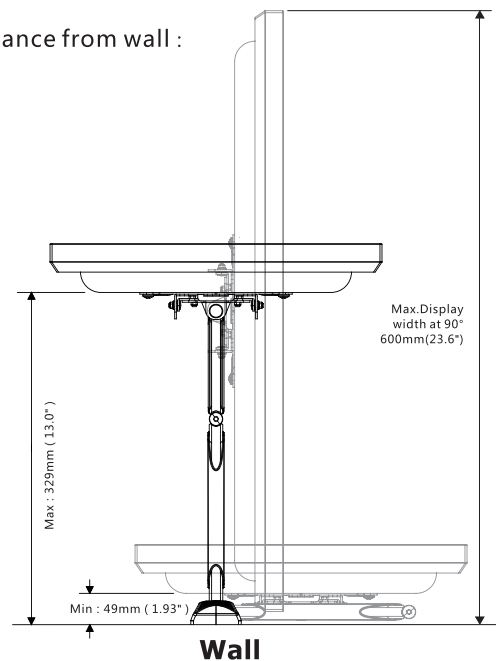
Mounting holes distance measuring methods:

From mounting hole centre left to mounting hole right centre,  
From mounting hole centre right measure down to right corner mounting hole centre.



VESA(TV mounting holes )

Distance from wall :



For more information, please visit: [www.nbavmount.com](http://www.nbavmount.com)